



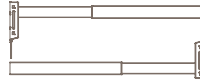
## Components

03.2021

Before assembling, be sure you have the following pieces:



A - Top with installed frame (1)



B - Legs (2)



C - Bolt (2)



D - Kottter key (2)



E - Feet (2)

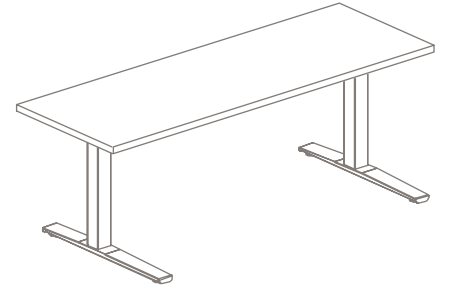


F - Bolts (8)



G - Allen wrench (1)

SHOP WITH



# Range

Assembly instructions

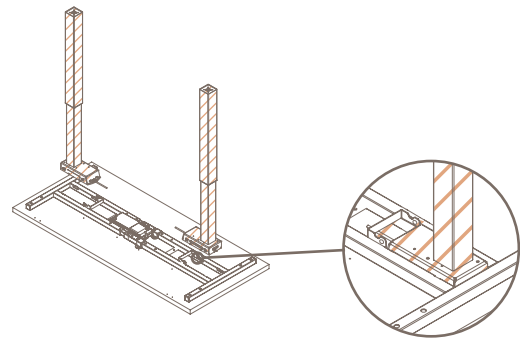
[store.ofs.com](https://store.ofs.com)

imagine a place®

800.521.5381

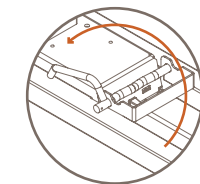
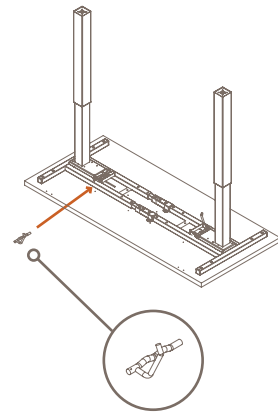
## Step 1:

1. Insert legs (B) into frame assembly installed on bottom side of top (A)



## Step 2:

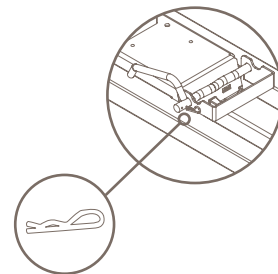
2a. Insert bolt (C) into frame



2b. Rotate bolt (C) to lock leg into position

## Step 3:

3. Insert cotter key (D) to lock bolt (C) in position



## Step 4:

4. Install feet (E) using bolts (F) and allen wrench (G)

