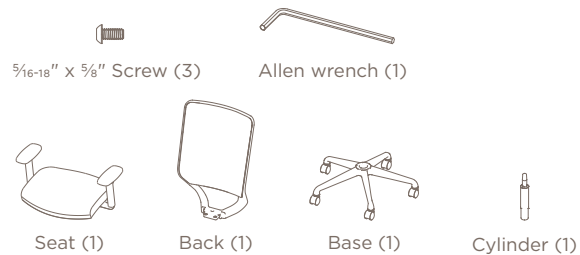


Components

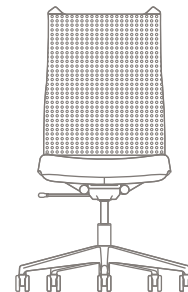
03.2021



Before assembling, be sure you have the following pieces:



SHOP WITH



Sladr

Assembly instructions

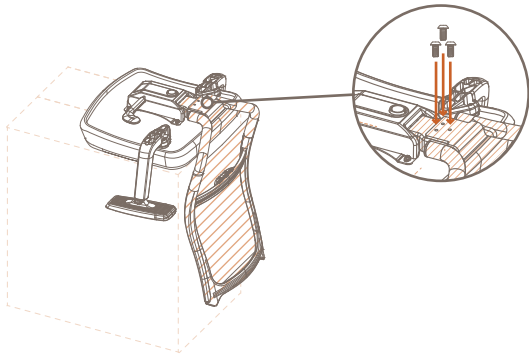
store.ofs.com

imagine a place®

800.521.5381

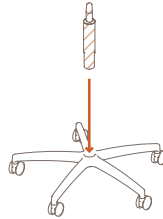
Step 1:

1. Place seat/arm/mechanism assembly on shipping carton or other firm, flat surface. Place back assembly over hole pattern in mechanism. Secure back assembly by installing screws using provided hex key



Step 2:

2. Slide cylinder into the center of the base and give it a push to set it in position



Step 3:

3. With the base sitting on the floor, firmly hold the seat and back assembly, align the mechanism with the cylinder and push into place until seated. The cylinder is seated when you can lift the chair and the cylinder stays in the mechanism

